





Windows are the essence of the home.

They welcome the comforting warmth and glow of the sunlight inside, open up to embrace the fresh springtime air, and allow you to experience the beauty of the world around you.

Omega and Hybridex make everyday life a little brighter, with high-performance values, enhanced energy savings, superior design details and clean lines, and unprecedented smooth movements.

**Omega and Hybridex put meaning
behind the finer things in life. ▶**

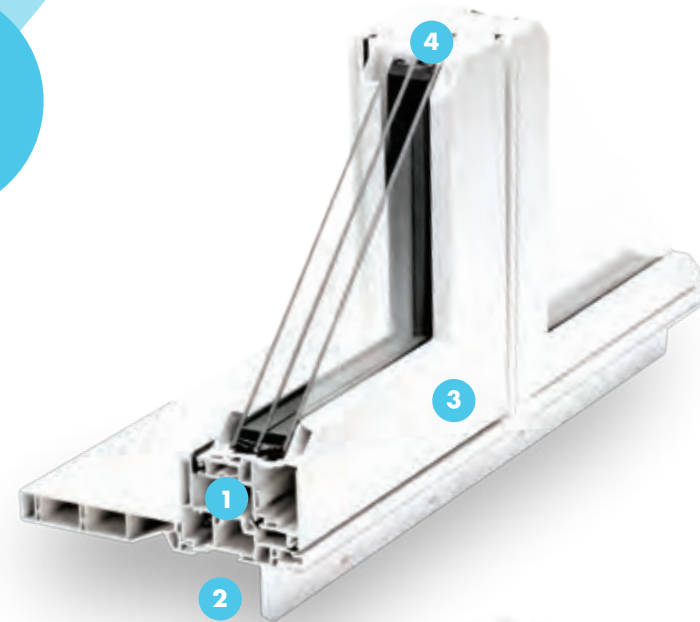
Design



Omega 800

Flexible design ideal for replacement & new build projects

1. Four-seal defense guards you from the elements
2. Full bodied, 3 1/4" frame with an integral nail fin for secure installation
3. Simple, contemporary sash design
4. Solid, air, and watertight mullion construction



Omega 750 monoframe

New build solution

With a robust 6 1/2" air and watertight design, the 750 monoframe is the perfect complement to our Alpha sliding windows.



Colours, finishes, & trims

Add colour, transform your windows, and increase functionality with Omega and Hybridex's sleek, contemporary colour palette and customizable trim options. And since it's always great to have choices, mix and match within the entire spectrum of the Durabuilt family for optimal flexibility, fashion-forward design, and architectural capabilities.

Omega solid colours

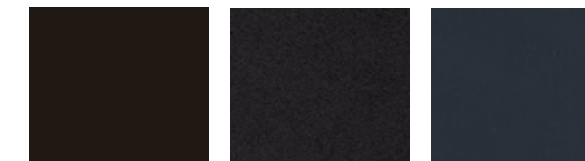
– interior and exterior



White Beige

Omega exterior laminate finishes

– durable and fashionable



Commercial brown Black Graphite



Omega exterior trims



2" brickmould on all sides or with sloped sill. Mirrors the look of wood windows
 1 1/2" brickmould on all sides for a slimmer appearance
 1 1/2" HD brickmould with nail fin. J-trim version available
 Handy rebate flange to cover existing material
 3/4" exterior extender pushes the window back, creating a shadow box. Also ideal for ICF

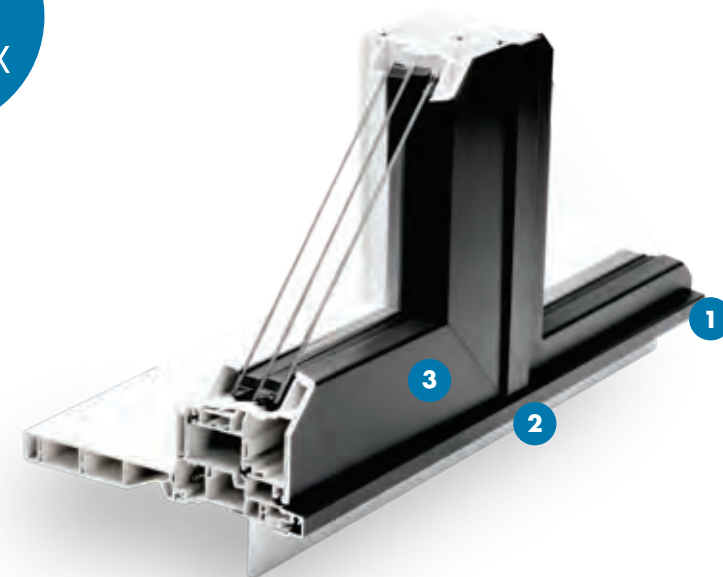
Design



Hybridex

Durable aluminum exterior with clean, crisp lines combined with the same inherent benefits as our Omega windows

1. Continuous frame clad offers a seamless appearance
2. Simple, contemporary, pleasing set back mullion cladding
3. Sleek, modern looking clad details



Hybridex solid colours

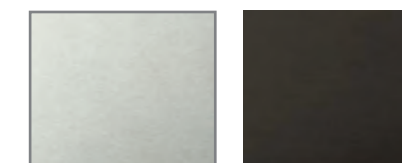
– exterior



White Beige Commercial brown Black Graphite Metallic grey Sable Iron ore

Hybridex anodized finishes

rich, lustrous finish that cannot peel or flake, making it a perfect choice for high-end homes and commercial projects



Clear Bronze

Hybridex exterior trims



2" reno brickmould replicates traditional appearance and make replacement installation a snap



Interior options

Omega and Hybridex's impeccably curated interior options ensure your windows are not only functional but also beautiful additions to any home

Stainable fir interior

Rich-looking Douglas fir interior laminate takes your choice of stain or paint beautifully



Interior trims



Jamb extensions are available in vinyl, paint grade wood, and stain grade wood



1/2" and 3/4" combo return easily accepts your choice of drywall or wood

Hardware

Low profile locking and operating hardware feature easy and secure functionality



Available fashion finishes



Brushed nickel



Oil rubbed bronze*
*Plated - not a living finish



Black



Design



Design guidelines

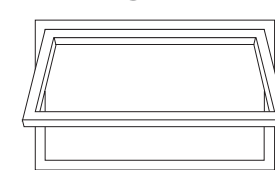
Having your dream window fit its space shouldn't be a maybe thing. Omega and Hybridex have a diverse range of design and sizing possibilities, no matter the project or corner of your home.

Casement



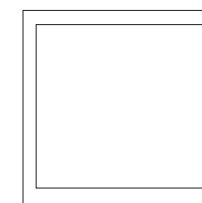
Gently swings out to let the fresh air in

Awning



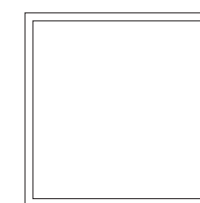
Softly swings out from the bottom

Fixed



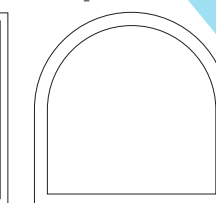
Enlarge your view using the same sightlines as our casement and awning options

Picture



Opens up living space and maximizes the sunlight in your home

Shape



Choose from a variety of shapes that can easily be combined with other window types

Combination

Be your own designer by simply choosing your desired mix of ventilation and view



Details

Divided lites – GBG & SDL

Create unique architecture and infuse personality into your home with the look of divided lites. Options include placing a grille between the glass pane (GBG) or adhering simulated divided lites (SDL) to the interior and exterior of the glass. Whichever way you choose, the end result is nothing short of stunning.

Grilles between glass

Available widths include 5/16", 5/8", and 1"

Colours



White



Beige



Black



Pewter



Commercial brown

Commercial brown and black are available in a split finish white interior in 5/8" and 1" widths



Simulated divided lites

Available widths include 1", 1½", and 2¾" width

Exterior and interior finish will match your window finish choice



Glass & window performance

What would a Durabuilt window be without its real performance glass? Whether you choose triple pane, dual pane, or low-e solutions like Sungate or Solarban with argon fill, you'll receive superior performance and comfort requirements with the additional benefit of energy savings. Even better, for enhanced thermal efficiencies and reduced condensation, Durabuilt windows feature Super Spacer®, a premium all-foam, no metal spacer bar.



Triple pane



Low E

All Omega and Hybridex windows are tested to NAFS / CSA and Energy Star standards. Bottom line, our windows meet and exceed today's energy and structural requirements.





DURABUILT

WINDOWS & DOORS

Thank you for taking the time to explore Durabuilt. Our approach to windows is simple. We believe in innovation, operational excellence, and creating consumer connections. We understand that a home is more than just walls and windows; it's a place where memories are made, children grow, and worlds are shaped. That's why whether it's a renovation project or you're building a new home, we are committed to creating and providing the best solutions for you.

all about you.